

WM109T

Vibration and temperature digital sensor

The WM109T vibration and temperature sensor measures temperature and vibration, providing displacement, speed and acceleration values and their spectral analysis for equipment online protection and condition monitoring.

Typical applications

Pumps	Crushers
Coolers	Mixers
Fans	General equipment
Wind turbines	
Compressors	
Gearboxes	

Technical data

Vibration

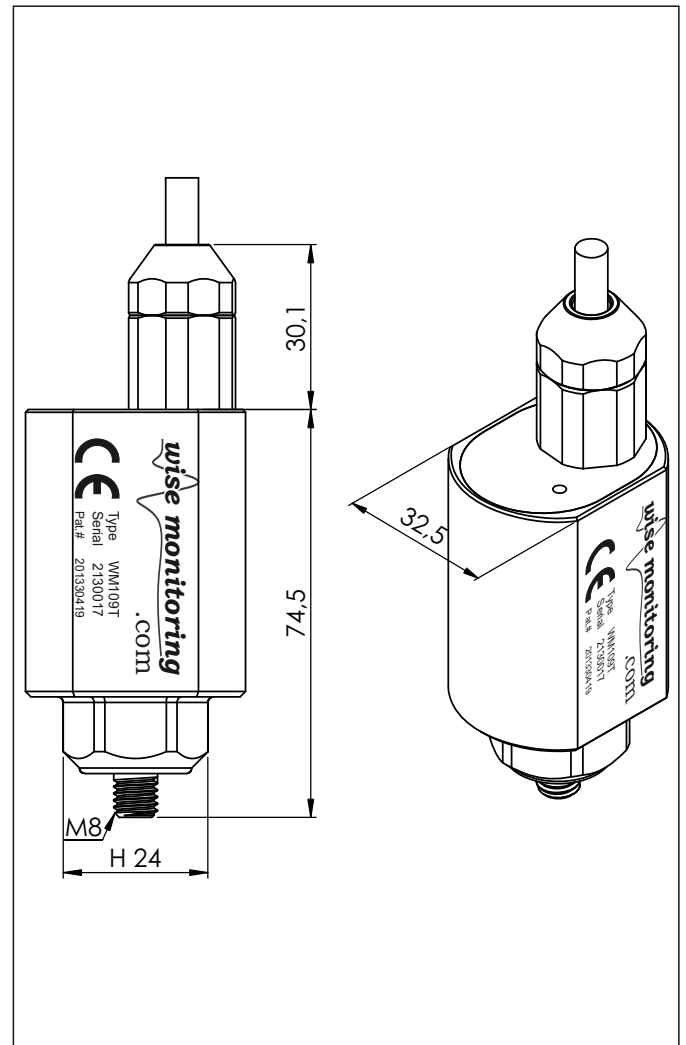
Measuring range	±20 g
Precision	0.001 g
Frequency range	0.5-1600 Hz

Temperature

Measuring range	0-125°C
-----------------	---------

Power supply	POE
Communication	Ethernet MODBUS TCP
Connector	RJ45
Material	AISI 304
Operation temperature	-40° a 85°C
Sealing	IP 65
Weight	240 g

Dimensions



WM109T vibration and temperature sensor is a patented device under patent number 201330419

The sensor includes ADC module, DSP microprocessor and memory to analyze the signal at the measuring point and manage an interface web server for user access to information and configurable alarms.