

# WM309T

## Triaxial vibration and temperature digital sensor

The WM309T vibration and temperature sensor measures temperature and three axis vibration, providing displacement, speed and acceleration values and their spectral analysis for equipment online protection and condition monitoring.

### Typical applications

Pumps	Crushers
Coolers	Mixers
Fans	General equipment
Wind turbines	
Compressors	
Gearboxes	

### Technical data

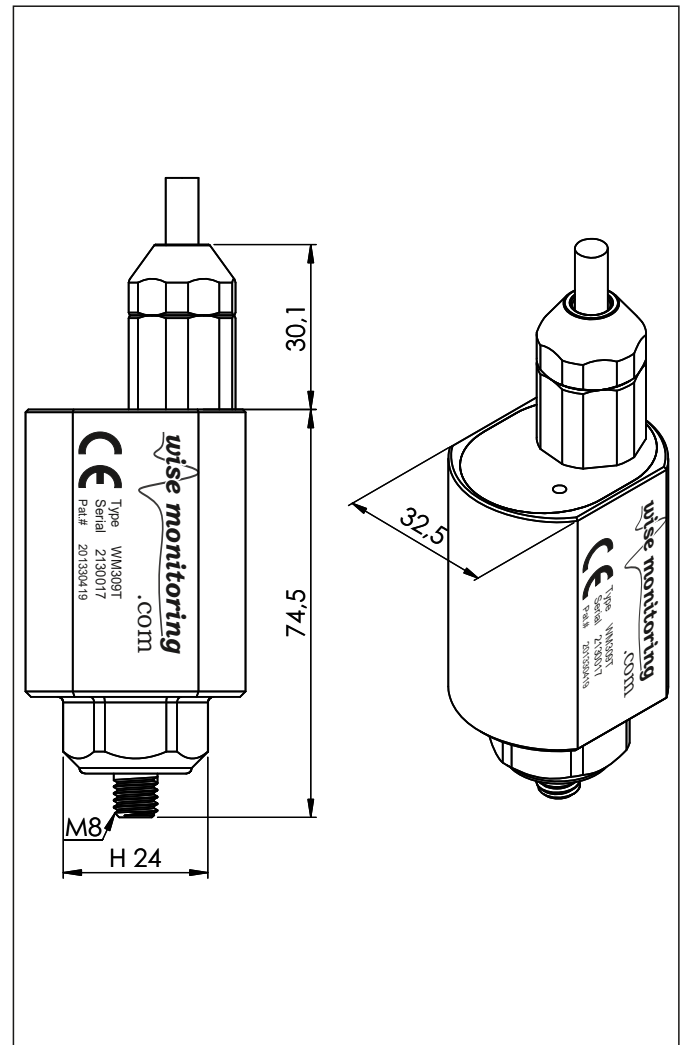
#### Vibration

Measuring range	±20 g
Precision	0.001 g
Frequency range	
X axis	0.5-1600 Hz
Y axis	0.5-550 Hz
Z axis	0.5-1600 Hz

#### Temperature

Measuring range	0-125°C
Power supply	POE
Communication	Ethernet MODBUS TCP
Connector	RJ45
Material	AISI 304
Operation temperature	-40° a 85°C
Sealing	IP 65
Weight	240 g

### Dimensions



## WM309T vibration and temperature sensor is a patented device under patent number 201330419

The sensor includes ADC module, DSP microprocessor and memory to analyze the signal at the measuring point and manage an interface web server for user access to information and configurable alarms.